

Grit Separator GRITSEP DS



THE BEST SELLING GRIT SEPARATOR

GRITSEP DS Grit Separators consist of an inclined screw conveyor with a large volume loading and sedimentation hopper including a water inlet and outlet spout, a shaftless screw housed in a trough, a low-friction anti-wear trough liner, a trough cover, an outlet spout for solid particles, and a drive unit mounted at the outlet end.

Water to be cleaned flows through the inlet spout of the GRITSEP DS Grit Separator into the decanting hopper where sedimentation of solid particles takes place.

Low screw rotation speed improves sedimentation and sees to conveying and discharging of de-watered grit and sand through the upper outlet. Clean water exits through the side discharge spout of the hopper.

Technical Features

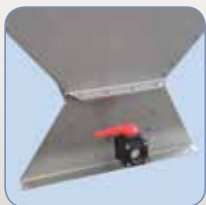
- Hopper manufactured from stainless steel (304 L or 316 L)
- Shaftless screw made up from sections of heavy-duty spiral, either in wear-resistant carbon steel or stainless steel (304 L or 316 L)
- Trough manufactured from stainless steel and lined with stainless steel bolted wear bars
- Liquid throughput: from 18 m³/h up to 130 m³/h
- Solids throughput: from 0.22 m³/h up to 1.3 m³/h
- ATEX GAS II Motors available



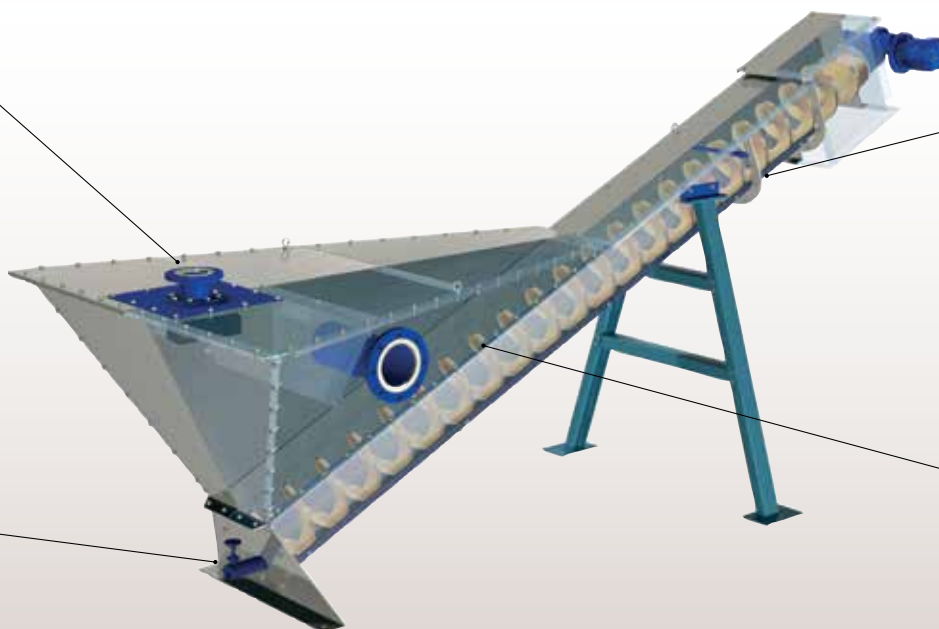
Flow Slowing Device



Sand Washing



Emptying Valve

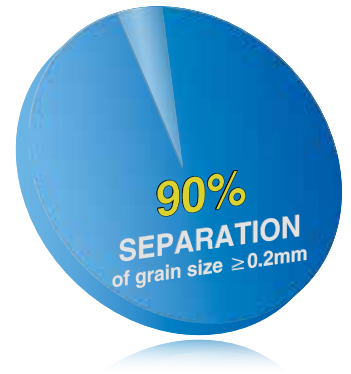


Air Injection

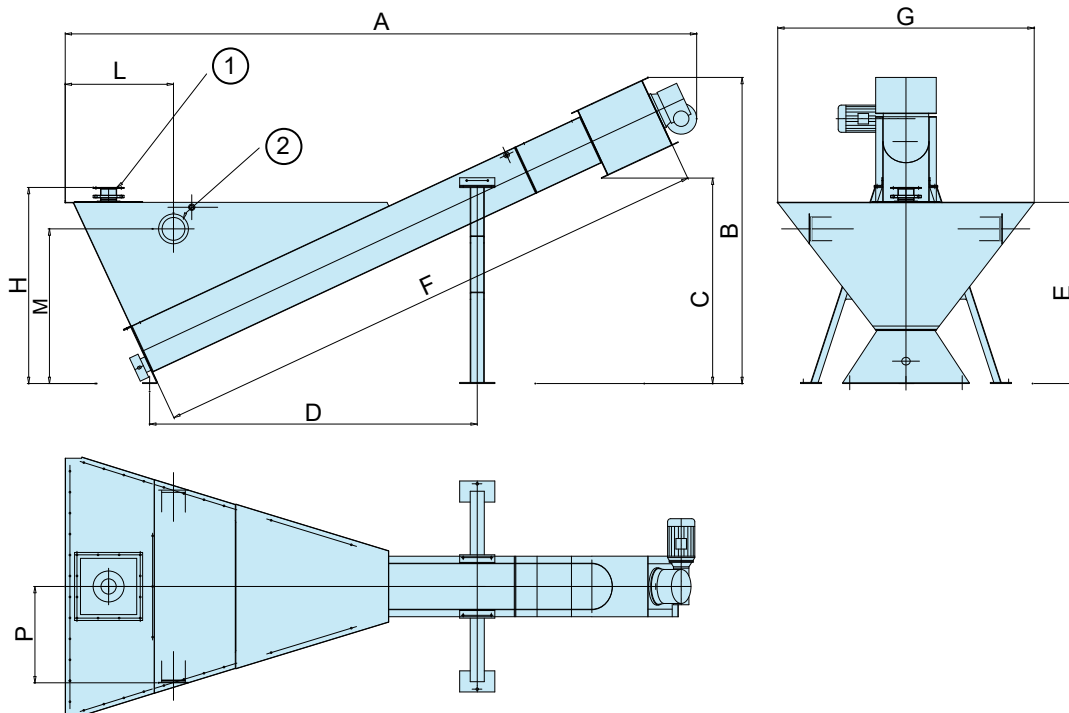
MODEL	Flow Rate (m ³ /h)	Installed Power kW	Hopper Capacity (m ³)	Average Sand Extraction (dm ³ /s)
DS 400	18	0.55	0.45	0,06
DS 1000	30	0.55	0.71	0,08
DS 2000	80	0.55	1.95	0,08
DS 3400	100	0.55	2.94	0,08
DS 4000	130	1.5	3.9	0,36

Benefits

- ✓ High separation performance;
- ✓ Trough liner design facilitates quick and easy replacement;
- ✓ Low installation, operation and maintenance costs.
- ✓ Absence of bearings under liquid level



Overall Dimensions



MODEL	A	B	C	D	E	F	G	H	L	M	P	Flange ① UNI	Flange ② UNI
DS 400*	3,710	2,020	1,450	1,995	1,390	3,365	1,215	1,490	490	1,270	650	DN80PN10	DN100PN10
DS 1000	4,490	2,170	1,460	2,330	1,290	4,000	1,830	1,400	770	1,100	685	DN100PN10	DN150PN10
DS 2000	5,480	2,580	1,850	3,215	1,650	5,000	2,396	1,805	765	1,400	980	DN125PN10	DN200PN10
DS 3400	6,485	3,015	2,320	3,180	2,038	6,015	2,410	2,190	790	1,844	1,090	DN200PN10	DN250PN10
DS 4000	6,590	3,090	2,370	3,960	2,180	6,015	2,510	2,330	865	1,985	1,140	DN400PN10	2x DN250PN10

* Transport system in tubular screw

For reference only; for detailed drawings please contact the Manufacturer

Dimensions in mm

Accessories

- Endless Tube
- Solenoid Valves
- Bag Clamping System

Application



203001339 April 2018 Rights reserved to modify technical specifications.



This brochure has been edited for distribution in European Union countries



SAVECOTM
Member of WAMGROUP[®]



www.saveco-water.com